

MANUAL DE MONTAJE  
ASSEMBLING INSTRUCTIONS  
NOTICE DE MONTAGE  
INSTRUÇÕES DE MONTAGEM  
MONTAGEANLEITUNG  
ISTRUZIONI DI MONTAGGIO  
INSTRUKCJA MONTAZU

# PATAS METAL OLGA

REVISIÓN 0.0



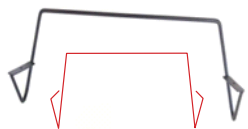
1 PER. 5 MIN.



PZ 3



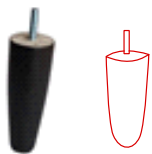
ALL 4



PATA BRAZO



PATA FR. CH



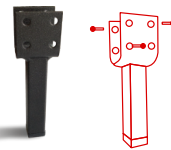
PATA CÓNICA  
DE 10 Ó 12 CM



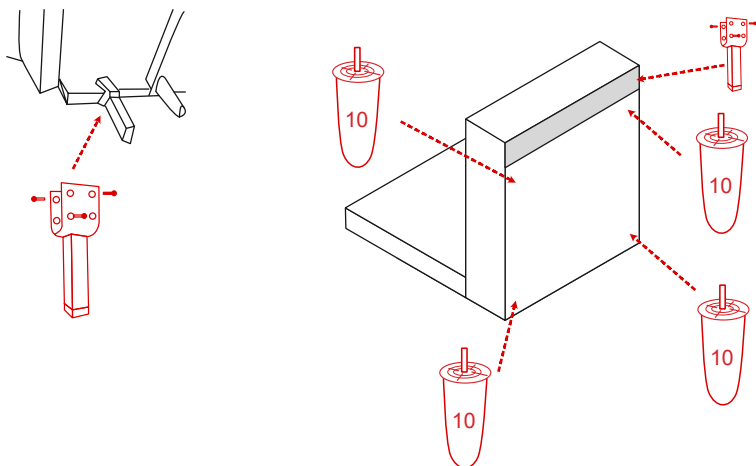
P. CONICA  
10 CM Ó 12 CM CENTRO



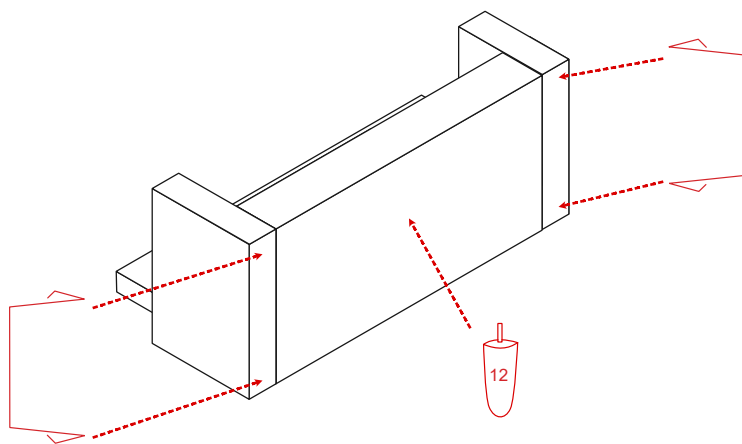
FR. DESL.



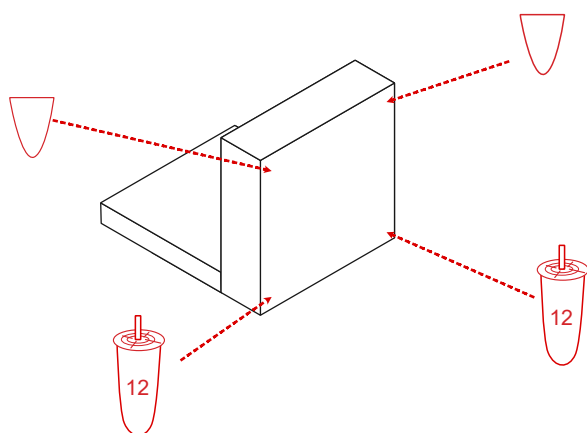
PATA ANTIVUELCO



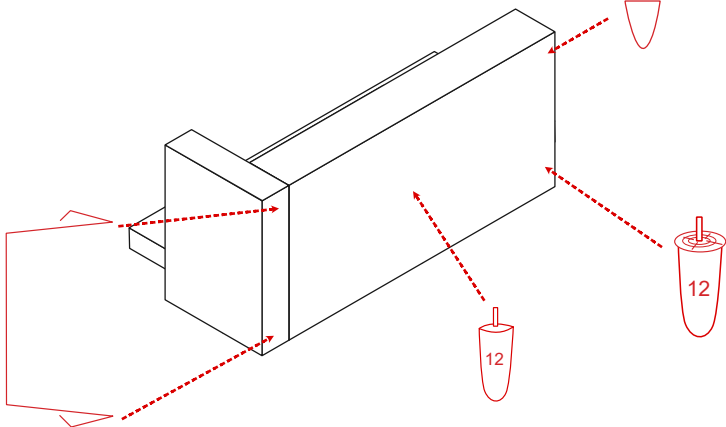
ELEM. S/B 1 PL RELAX



SOFA 2 Y 3 PL  
FIJO Y DESLIZANTE



ELEM. S/B 1 PL DESLIZANTE



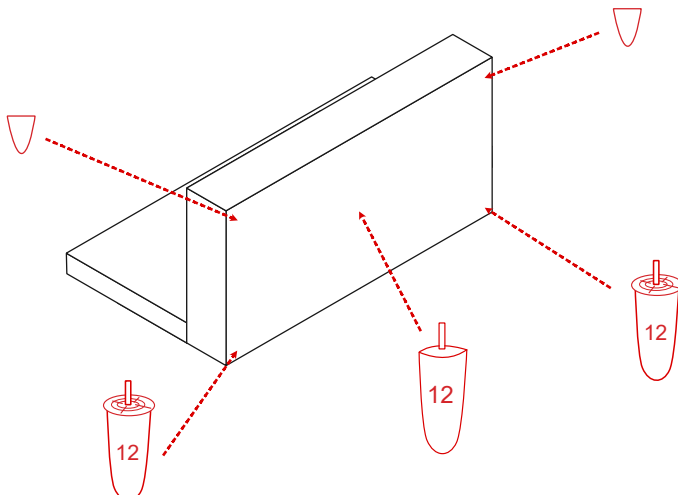
ELEM. C/B 2 Y 3 PL DESLIZ.

A 3D perspective drawing of a rectangular sliding element. It consists of a main body with a smaller rectangular protrusion on the left side. Red dashed arrows point from the top surface, the front face, and the right side to a small inverted triangle symbol. Two red dashed arrows point from the front face and the right side to a cylindrical symbol with a central rod and the number '12' inside. A red double-headed arrow is shown on the left side, indicating the sliding direction.



ELEM. C/B 1 PL DESLIZANTE

A 3D perspective drawing of a rectangular sliding element, similar to the first one but with a different internal structure. Red dashed arrows point from the top surface and the front face to a small inverted triangle symbol. One red dashed arrow points from the front face to a cylindrical symbol with a central rod and the number '12' inside. A red double-headed arrow is shown on the left side, indicating the sliding direction.



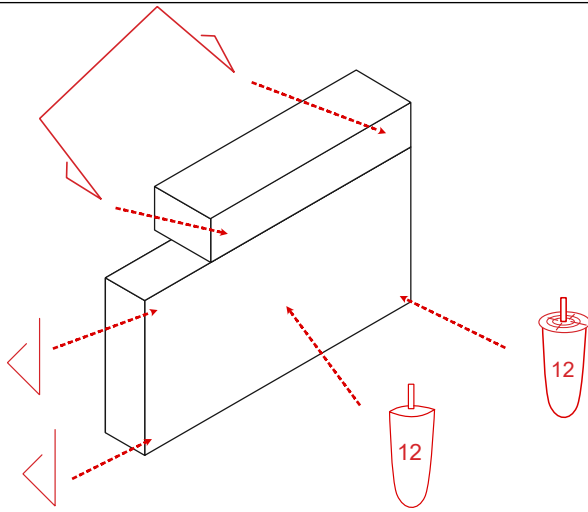
ELEM. S/B 2 Y 3 PL DESLIZ

A 3D perspective drawing of a rectangular sliding element, similar to the first one but with a different internal structure. Red dashed arrows point from the top surface, the front face, and the right side to a small inverted triangle symbol. Three red dashed arrows point from the front face, the right side, and the bottom face to a cylindrical symbol with a central rod and the number '12' inside. A red double-headed arrow is shown on the left side, indicating the sliding direction.

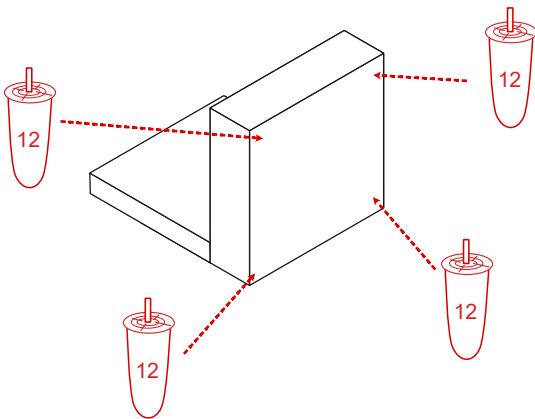


SILLÓN

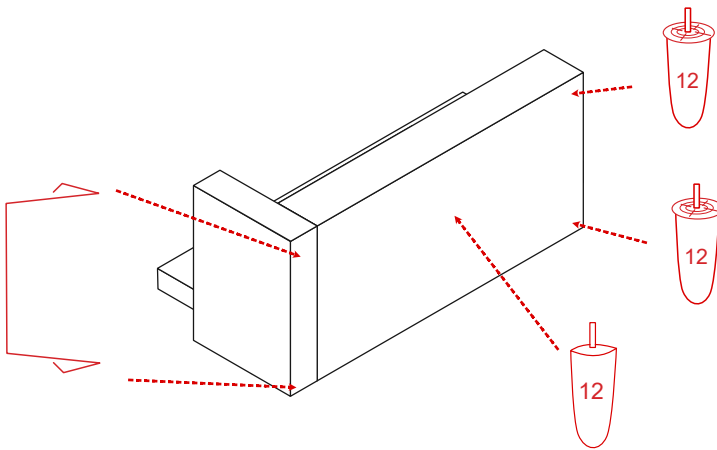
A 3D perspective drawing of a rectangular sliding element, similar to the first one but with a different internal structure. Red dashed arrows point from the top surface, the front face, and the right side to a small inverted triangle symbol. Two red dashed arrows point from the front face and the right side to a cylindrical symbol with a central rod and the number '12' inside. A red double-headed arrow is shown on the left side, indicating the sliding direction.



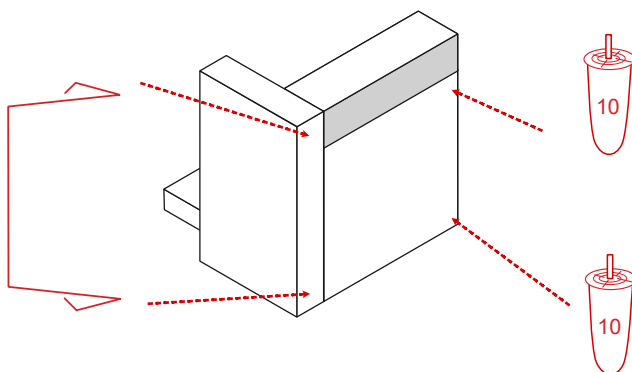
ELEM. CHAISERLONGUE.



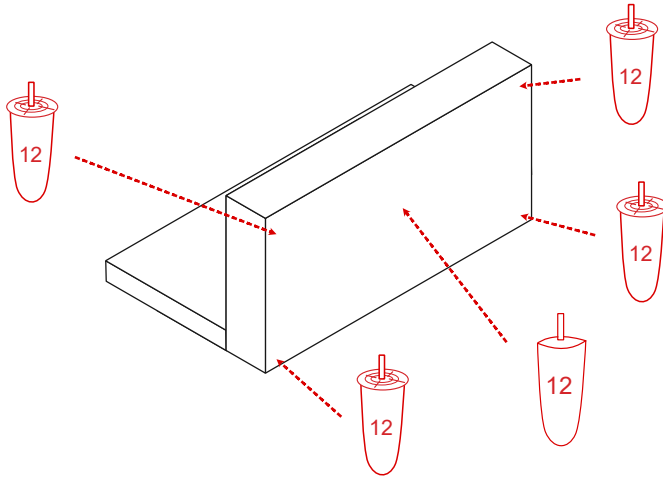
ELEM. S/B 1 PL FIJO



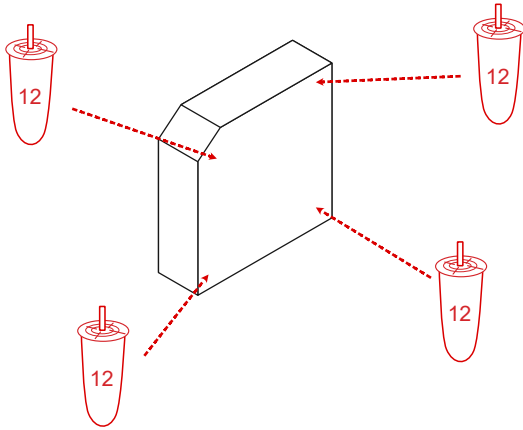
ELEM. C/B 3 PL FIJO



ELEM. C/B 1 PL RELAX



ELEM. S/B 2 Y 3 PL FIJO



RINCÓN